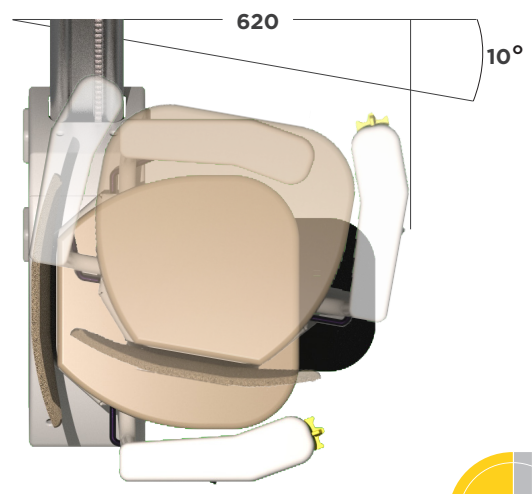
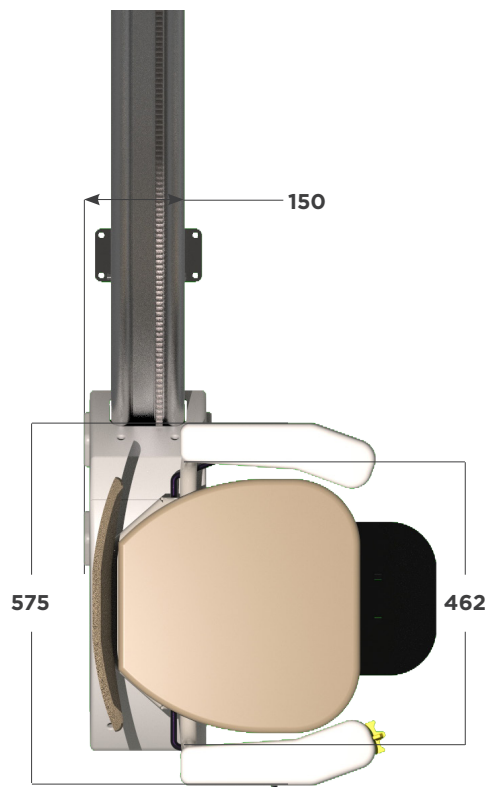




MAXIMUM WEIGHT	125KG (19.5st)
CONTROL TYPE	Ergonomic Joystick
CHARGE	Automatic Charge points x2
POWER BACK UP SYSTEM	Yes
REMOTE CONTROLS	2 per Unit
MIN/MAX STAIRCASE ANGLE	15°-52°
FOOTREST LINK	Manual
SEAT SWIVEL	Manual
UPHOLSTERY OPTIONS	Yes (Beige Standard)
SEATBELT	Lap Belt/Retractable (Option)
CAN THE LIFT BE REHANDED	The Lift is Universal



All Dimensions in mm